

# AGX150

## AGX150-2 Standard Model

*150 Gallon 3PT Sprayer  
with 30' manual fold boom*



Manufactured by PBZ LLC  
A Paul B Zimmerman Inc. Company  
[www.CropCareEquipment.com](http://www.CropCareEquipment.com)



# Table Of Contents

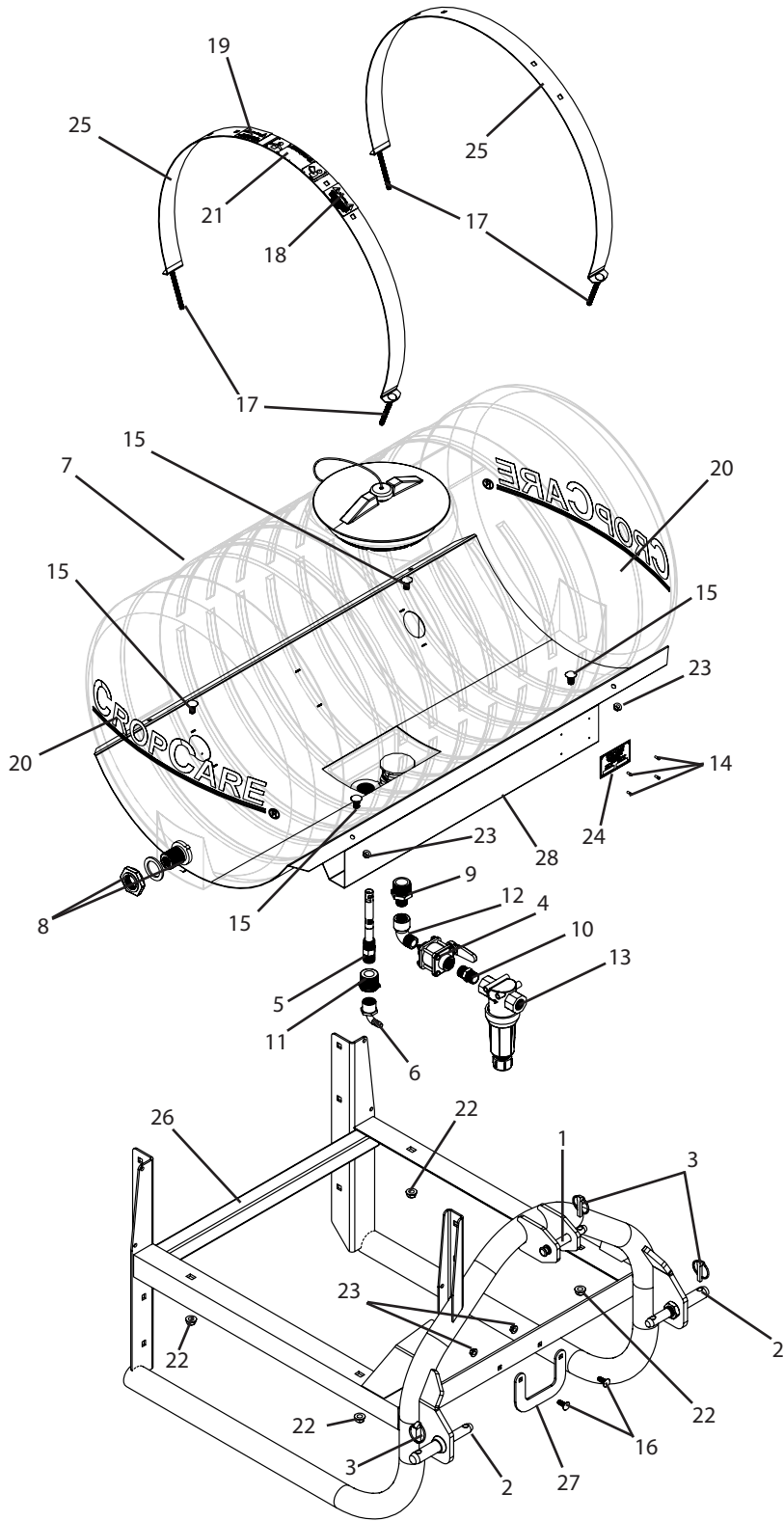
## Standard Features

<b>Base Unit Subassembly (AGX150-2A)</b> .....	4-5
47254 / Tank .....	6
AA126ML-3-50 / Line Strainer .....	7
<b>Boom Subassembly (MX30A)</b> .....	8
MX30 / Boom .....	9-10
<b>Boom Plumbing Subassembly (MXP30-20)</b> .....	12
22251311500NYB / Nozzle Body, Elbow .....	13
22252312500NYB / Nozzle Body, Tee .....	14
<b>Control Subassembly (AGX150-2C)</b> .....	16
6B3MC1 / Triple Master Valve with gauge .....	17
AA6B / Manual Control Valve .....	18
846034 / Pressure Relief Valve .....	19
<b>Pump Subassembly (AGX150-2B)</b> .....	20
7560N / Pump .....	21
PTA / Torque Arm .....	22

## Optional Features

<b>Fresh water Safety Tank Accessory (A116K)</b> .....	24
<b>Quick Fill Accessory (A125K)</b> .....	26
<b>Pistol Grip Handgun Accessory (A126K)</b> .....	28
5062410F / Spray Handgun .....	29-30
<b>Boom Inline Filters Accessory (A127K)</b> .....	32
AA12212PP50 / Line Strainer .....	33
<b>Foam Marker Accessory (F1500-3PT-BK)</b> .....	34
F1500 / Foam Marker System .....	35-38
CM40 / Compressor .....	39
GZ35-12 / Compressor .....	40
F1525 / Foam Discharge Tube .....	41
F1529 / Foam Mixing Chamber .....	42

# AGX150-2A Base Unit Subassembly

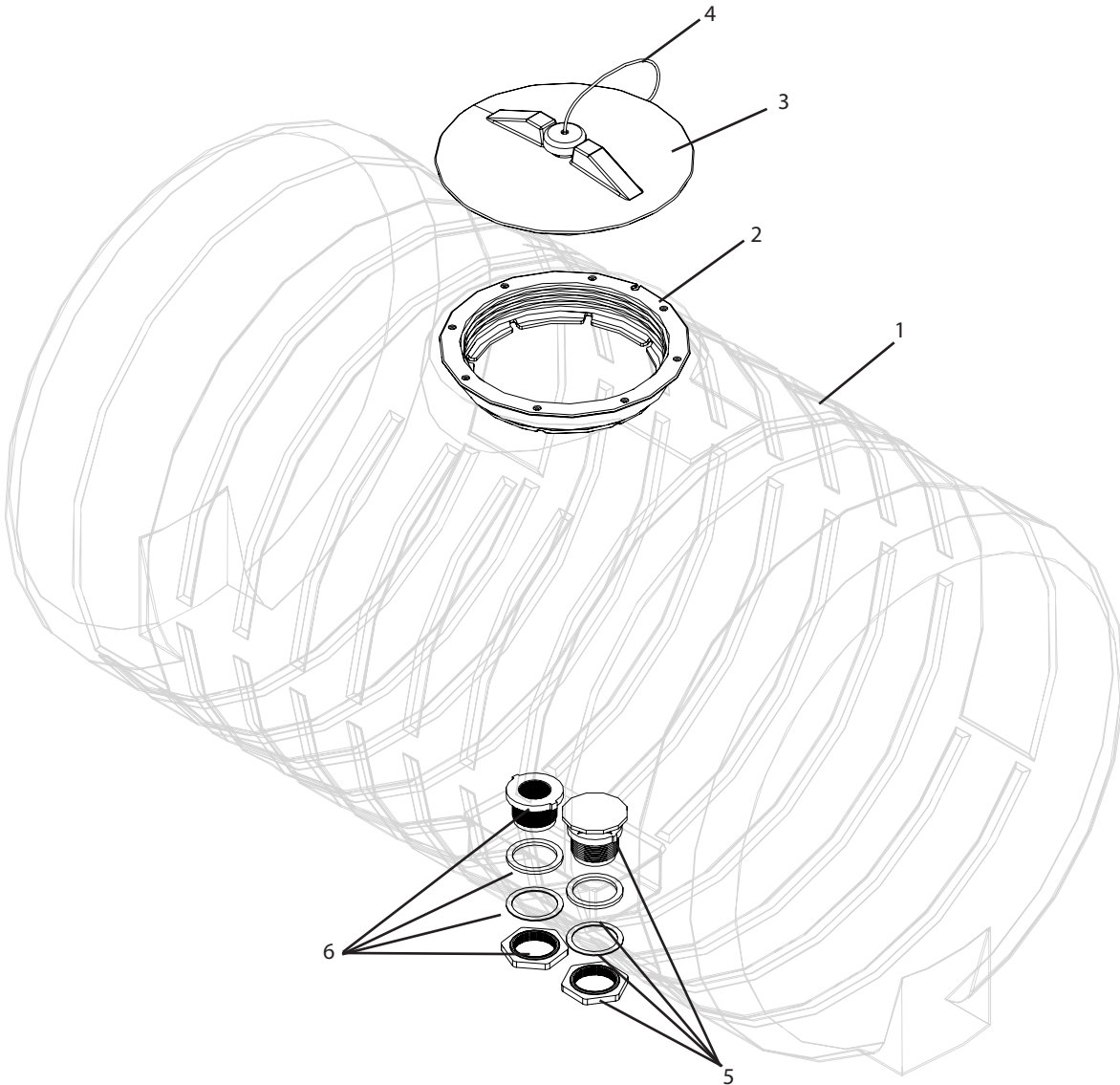


# AGX150-2A Base Unit Subassembly

Ref#	Qty.	Part Number	Description
1	1	00074	Pin, Top Link Cat 1 (3-7/8" Usable)
2	2	00213	Pin, Lift Arm Cat 1 & 2 Forged
3	3	02703	Pin, Linch 7/16" Cat 1 & 2
4	1	075FP	Valve, Ball Bolted 3/4" Full Port
5	1	33710019	Agitator, Jet
6	1	3EL3412F	Adapter, Hose 90° 3/4" FPT x 1/2" HB
7	1	47254 *	Tank, 150 Gallon w/ 2" Sump Yellow
8	1	62798	Fitting, Tank 3/4" FPT Dbl Tap (Requires 1-5/8" Hole)
9	1	8M11434	Nipple, Reducer 1-1/4" MPT x 3/4" MPT Sch 80 Poly
10	1	8M34	Nipple, 3/4" MPT x Close Sch 80 Poly
11	1	8RB11434	Bushing, Reducer 1-1/4" MPT x 3/4" FPT Sch 80 Poly
12	1	8SE34	Elbow, Street 90° 3/4" NPT Sch 80 Poly
13	1	AA126ML-3-50 *	Strainer, Line 3/4" FPT 50 Mesh Screen Flush out
14	4	BTT44	Rivet, Pop 1/8" Dia. x .188" x .250" Grip SS
15	4	CB12*1G5	Bolt, Carriage 1/2-13 x 1" Gr 5
16	2	CB38*1G5	Bolt, Carriage 3/8-16 x 1" Gr 5
17	4	CB38*412G5	Bolt, Carriage 3/8-16 x 4-1/2" Gr 5
18	1	DE136	Decal, Disconnecting Sprayer Warning
19	1	DE39	Decal, "Warning Read Owner's Manual
20	2	DE57	Decal, CropCare Logo 4 7/8" x 24"
21	1	DEMT3980	Decal, "Warning Avoid Injury Follow Labels"
22	4	FN12	Nut, Flange 1/2-13
23	6	FN38	Nut, Flange 3/8-16
24	1	SP500	Plate, Serial Number
25	2	SS30	Tank strap, 110 & 150 gallon, gray
26	1	T150	Frame, 3PT, 110 & 150 gallon, gray
27	1	T411	Hose guide plate
28	1	TS3051P	Tank saddle, 150 gallon, gray

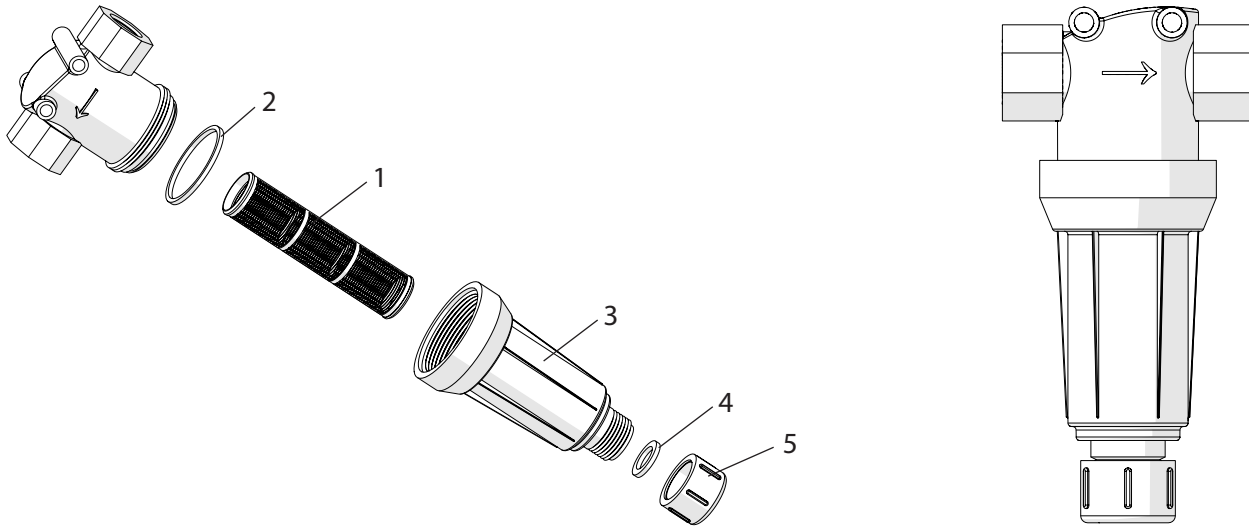
\*See support page for component breakdown.

# 47254 Tank



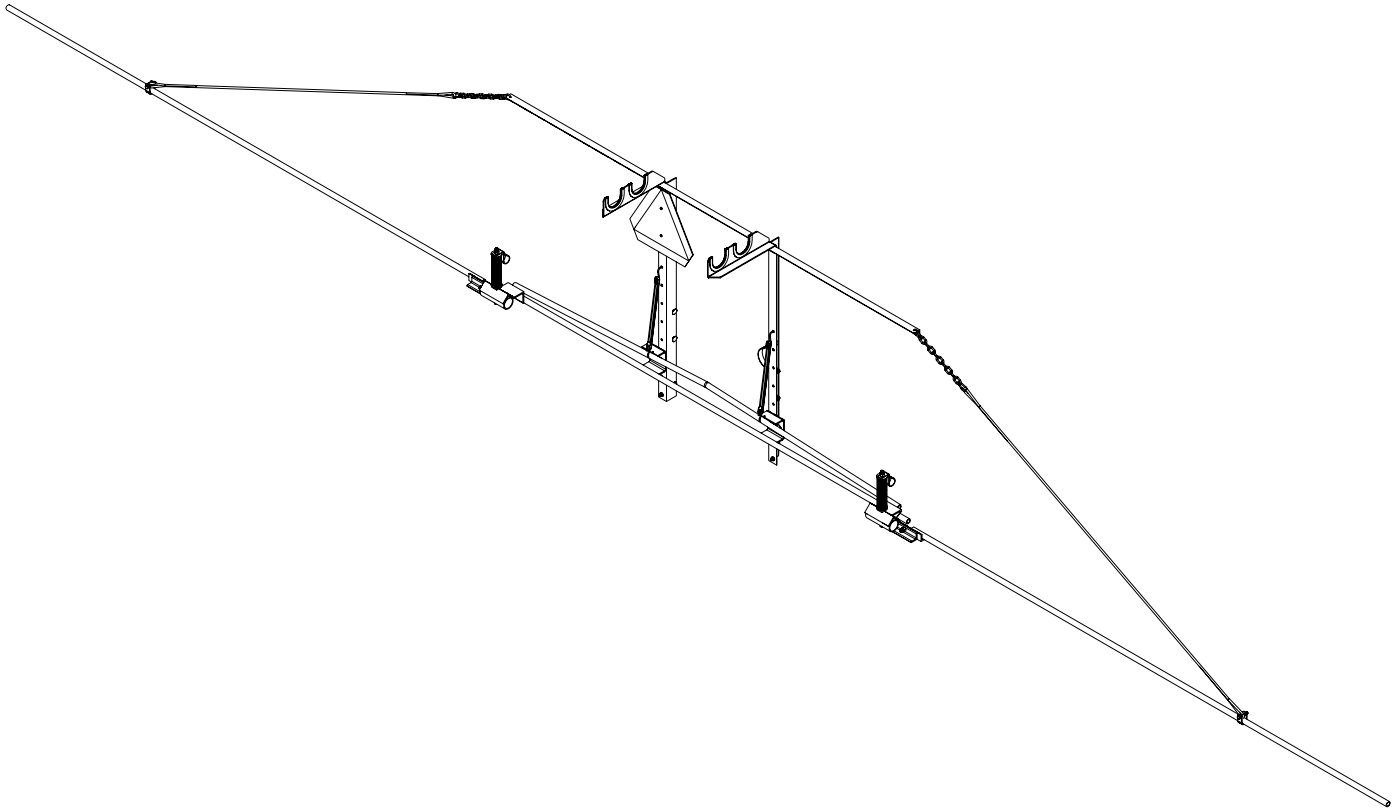
Ref#	Qty.	Part Number	Description
1	1	47254	Tank, 150 Gallon Yellow
2	1	67400	Well, 10" Threaded
3	1	67399	Lid, Tank 10"
4	1	67076	Tie down strap for tank lid
5	1	63065	Fitting, Bulkhead Anti-Vortex 1-1/4" FPT (Requires 2-1/4" Hole)
6	1	60403	Fitting, Bulkhead 1-1/4" FPT Dbl Tap (Requires 2-1/4" Hole)

# AA126ML-3-50 Line Strainer



Ref #	Qty.	Part Number	Description
1	1	CP169034SSPP	Screen, 3/4" & 1" 124/6 Filter 50M
2	1	CP50494EPR	Strainer gasket, AA126, 3/4" & 1"
3	1	CP50493PP	Strainer Bowl, AA126ML-3 or 4
4	1	CP63150EPR	Gasket, EPDM Rubber
5	1	CP48655PP	Cap, Polypropylene (Gray)

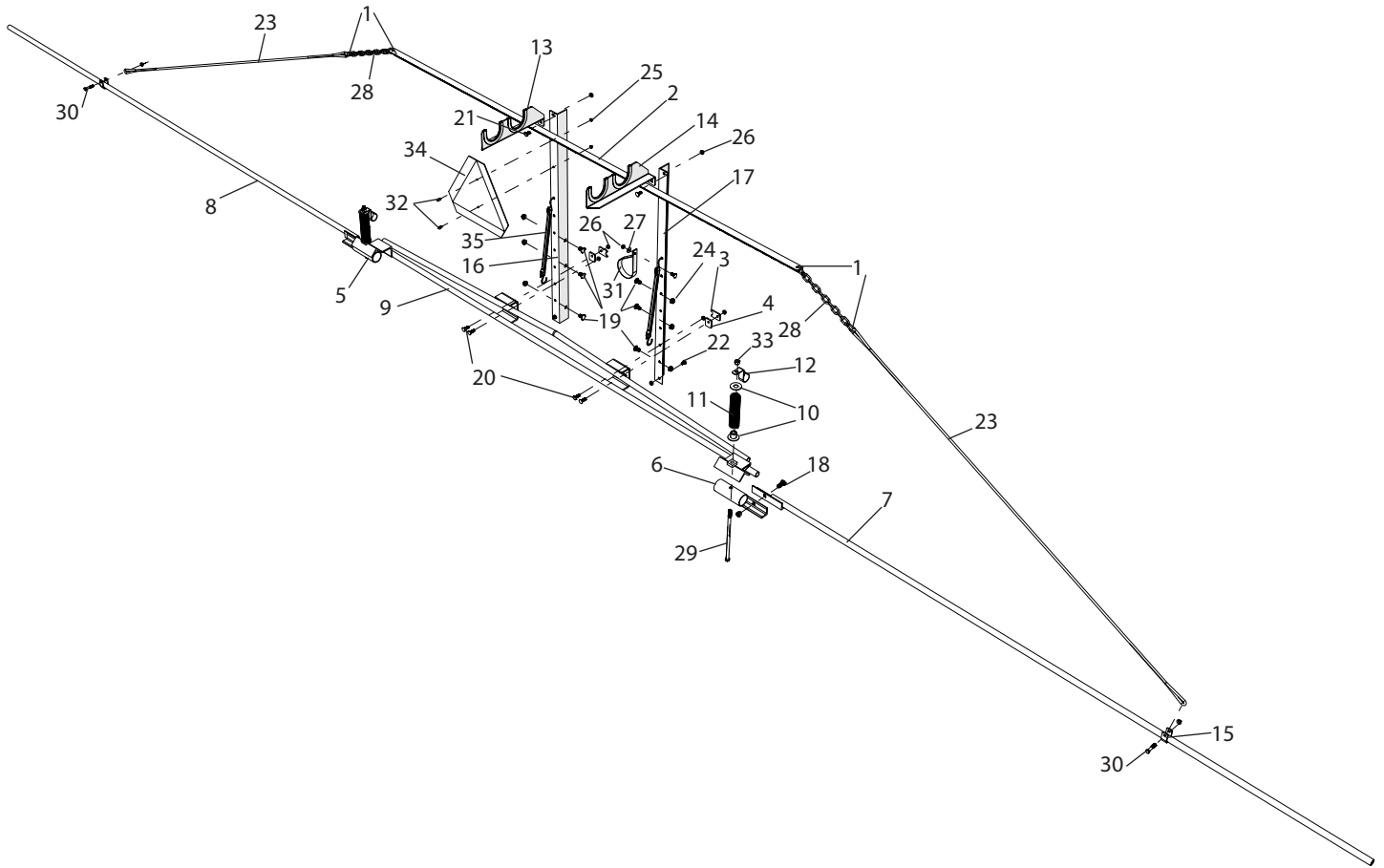
# MX30A Boom Subassembly



Ref#	Qty.	Part Number	Description
1	1	MX30	Boom, 30' Manual Fold

\* See support page for component breakdown.

# MX30 Boom

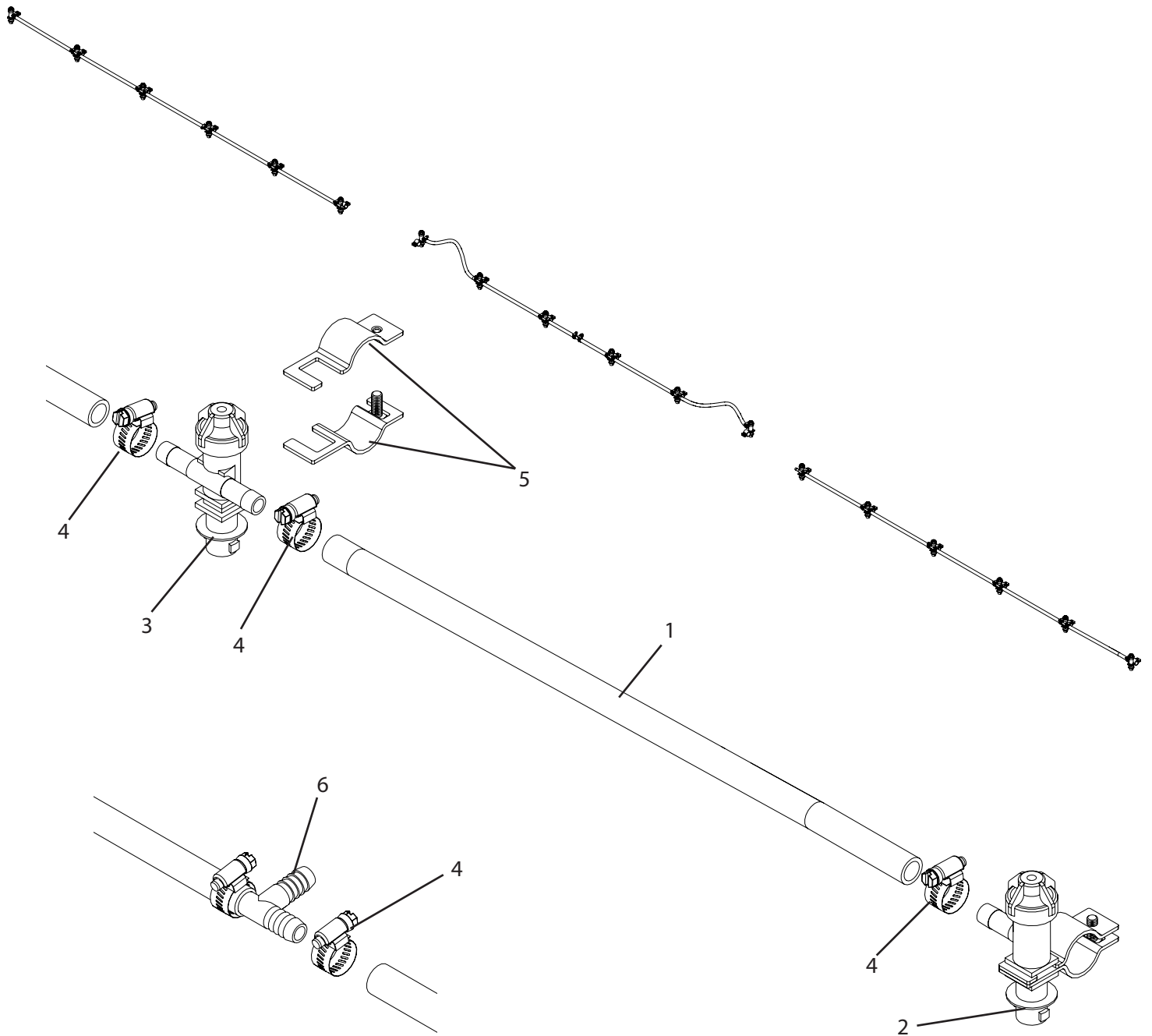


# MX30 Boom

Ref #	Qty.	Part Number	Description
1	4	245SS14	Snap, Spring Hook 1/4" x 2-3/8" SS
2	1	B101	Top boom support, BF30M
3	2	B103	Clip, Boom Mounting
4	2	B104	Spacer, Boom Mounting Clip
5	1	B105L	Hinge, Boom Left
6	1	B105R	Hinge, Boom Right
7	1	B106L	Boom wing, left, BF30M
8	1	B106R	Boom wing, right, BF30M
9	4	B107	Boom center section, BF30M
10	2	B108	Cap, Spring Black
11	2	B109	Spring, Compression Blk 1-3/4" x 8" x 1/4"
12	1	B110	Hose Holder, Blk
13	1	B111LT	Boom Rest, Left With Trim
14	1	B111RT	Boom Rest, Right With Trim
15	2	B112	Clip, Rope Blk
16	1	BF4013L	Boom mounting angle, left
17	1	BF4013R	Boom mounting angle, right
18	2	CB12*112G5	Bolt, Carriage 1/2-13 x 1-1/2" Gr 5
19	6	CB12*1G5	Bolt, Carriage 1/2-13 x 1" Gr 5
20	4	CB38*114G5	Bolt, Carriage 3/8-16 x 1-1/4" Gr 5
21	3	CB38*1G5	Bolt, Carriage 3/8-16 x 1" Gr 5
22	2	CB38*34G5	Bolt, Carriage 3/8-16 x 3/4" Gr 5
23	2	F348A	Rope, Boom 30ft
24	6	FN12	Nut, Flange 1/2-13
25	2	FN14	Nut, Flange 1/4-20
26	11	FN38	Nut, Flange 3/8-16
27	1	FW38	Washer, Flat 3/8"
28	2.1'	GC316	Chain, Coil Galv 3/16" Proof Gr 30
29	2	H2C12*12	Bolt, Hex 1/2-13 x 12" Gr 2
30	2	H5C38*2	Bolt, Hex 3/8-16 x 2" Gr 5
31	1	HS1000	Hose Holder, Nylon Strap
32	2	MR14*58	Screw, Machine Rd Hd 1/4-20 x 5/8" Phillips Drive
33	4	NNC12	Nut, Lock Nylon 1/2-13
34	1	SMVM	Sign, SMV Metal 14" x 16"
35	2	TS15	Tarp Strap, 15" Rubber



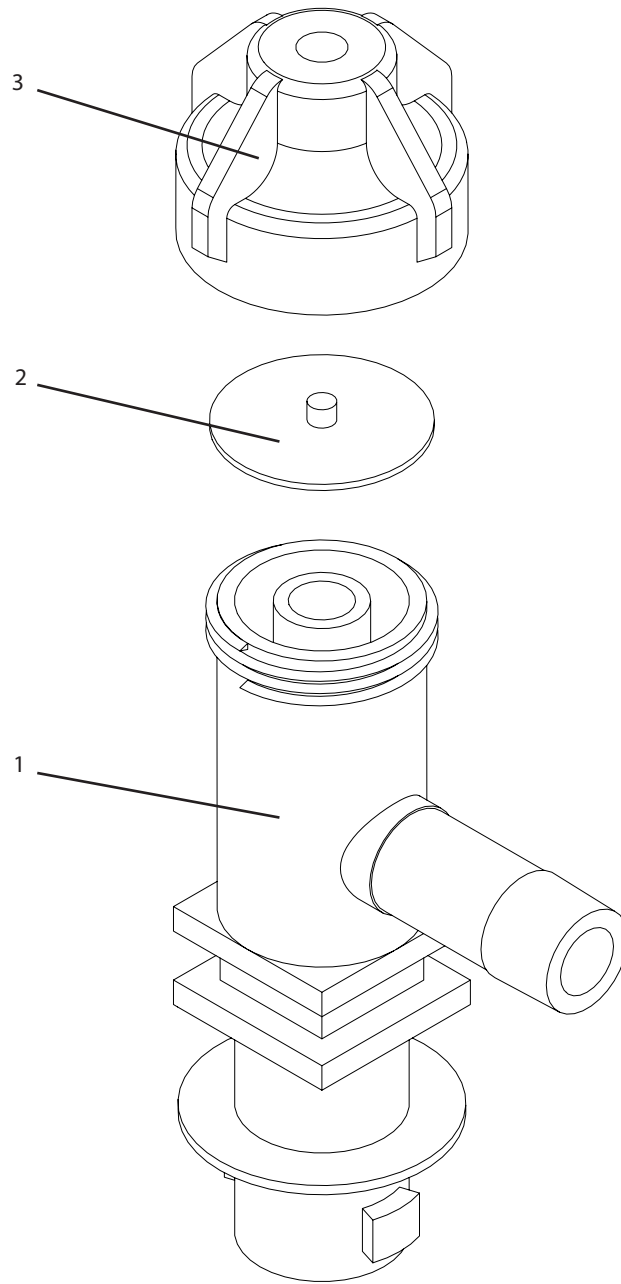
# MXP30-20 Boom Plumbing Subassembly



Ref#	Qty.	Part Number	Description
1	25	1008	Hose, EPDM Rubber 1/2" 300 PSI
2	6	22251311500NYB *	Body, Nozzle Elbow 1/2" QJ300
3	15	22252312500NYB *	Body, Nozzle Tee 1/2" QJ300
4	33	6806052	Hose Clamp, 1/2" - 29/32" SS
5	18	QJ11134	Clamp, Nozzle Body 3/4" Pipe
6	1	T12	Tee, 1/2" Hose Barbs Nylon

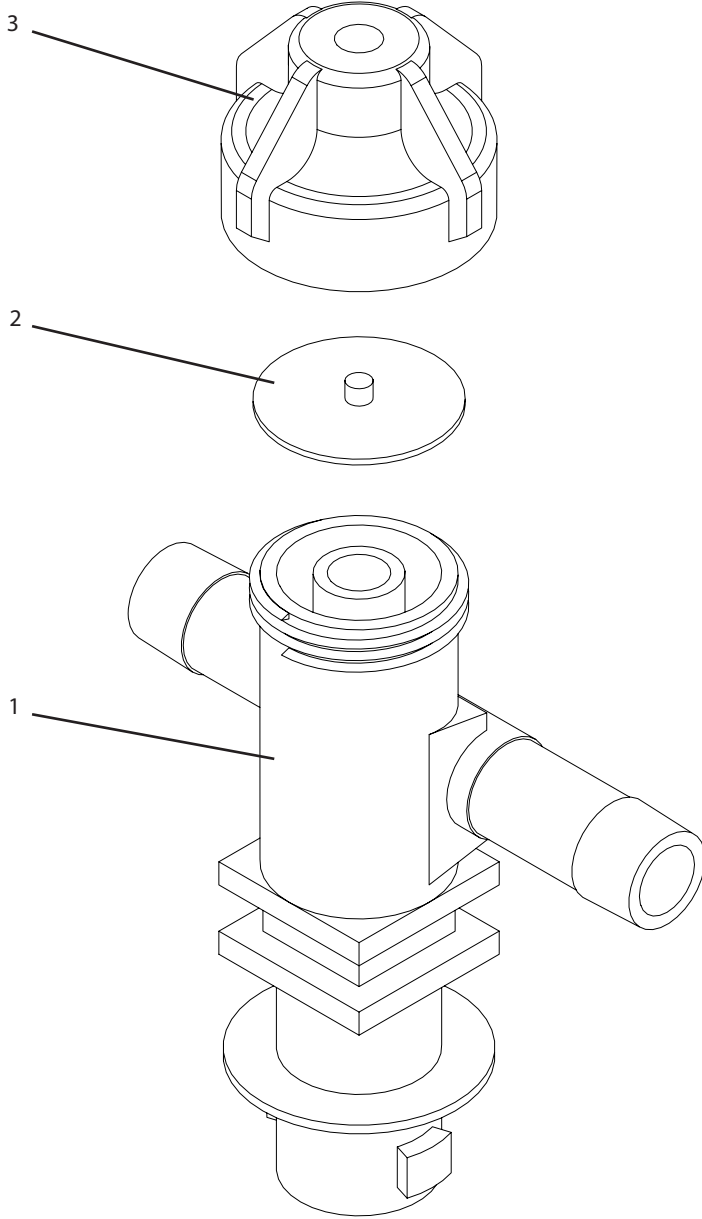
\*See support page for component breakdown.

# 22251311500NYB Nozzle Body, Elbow



Ref#	Qty.	Part Number	Description
1	1	CP22237NYB	Single hose shank body, 1/2"
2	1	CP21953EPR	Rubber diaphragm
3	1	2195010NYB	Diaphragm cap, 10 psi

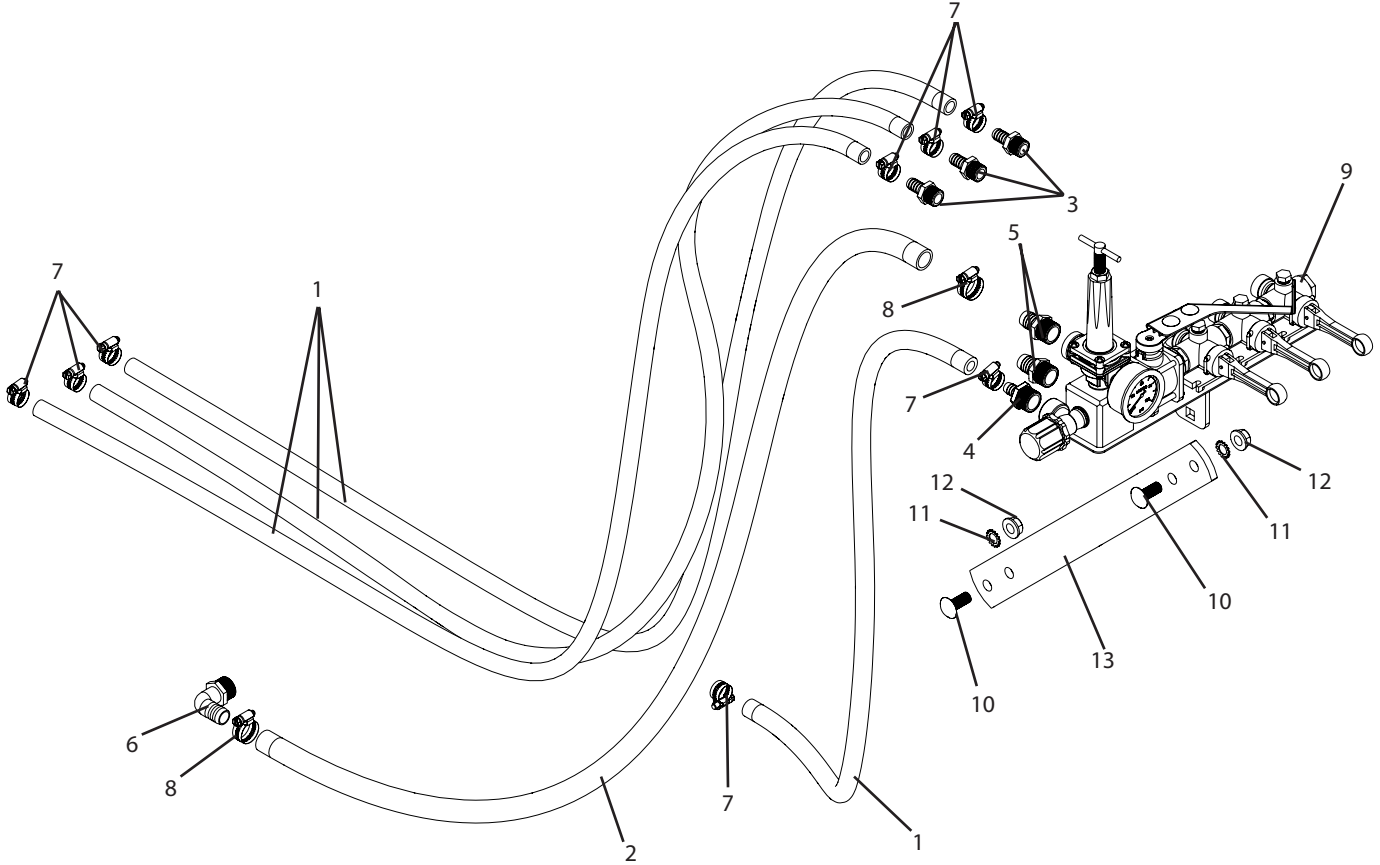
# 22252312500NYB Nozzle Body, Tee



Ref#	Qty.	Part Number	Description
1	1	CP22240NYB	Double hose shank body, 1/2"
2	1	CP21953EPR	Rubber diaphragm
3	1	2195010NYB	Diaphragm cap, 10 psi



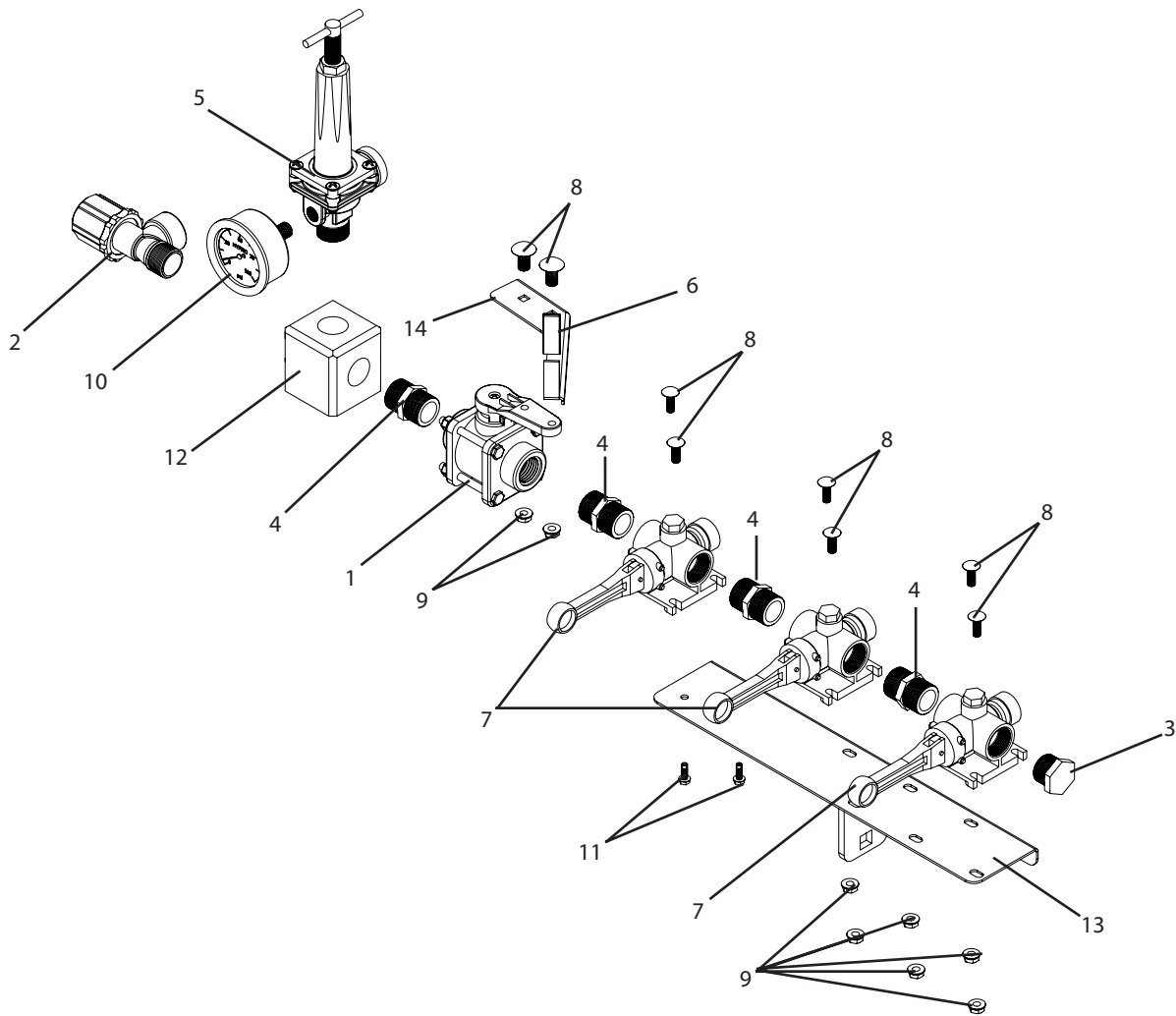
# AGX150-2C Control Subassembly



Ref#	Qty.	Part Number	Description
1	42 FT	1008	Hose, EPDM Rubber 1/2" 300 PSI
2	3 FT	1012	Hose, EPDM Rubber 3/4" 300 PSI
3	3	3A1212	Adapter, Hose 1/2" MPT x 1/2" HB
4	1	3A3412	Fitting, Hose 3/4" MPT x 1/2" HB
5	2	3A3434	Fitting, Hose 3/4" MPT x 3/4" HB
6	1	3EL3434	Adapter, Hose 90° 3/4" MPT x 3/4" HB
7	8	6806052	Hose Clamp, 1/2" - 29/32" SS
8	2	6812052	Hose Clamp, 1/2" - 1-1/4" SS
9	1	6B3MC1 *	Control, 6B Assy Triple Master Valve 100 PSI w/Gauge
10	2	CB12*114G5	Bolt, Carriage 1/2-13 x 1-1/4" Gr 5
11	2	EW58	Washer, Lock External-Tooth 5/8"
12	2	FN12	Nut, Flange 1/2-13
13	1	T553	Mounting post, gray

\* See support page for component parts breakdowns.

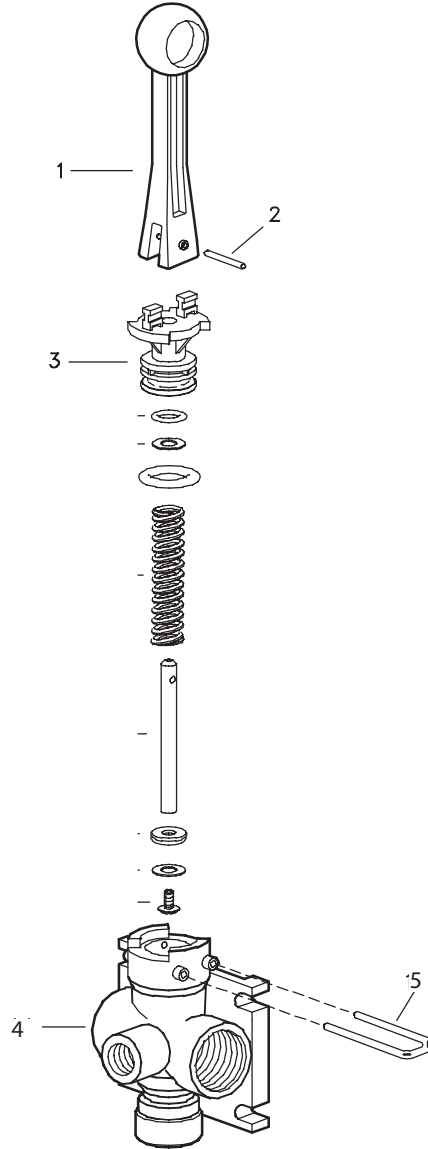
# 6B3MC1 Triple Master Valve with gauge



Ref#	Qty.	Part Number	Description
1	1	075FP	Valve, Ball Bolted 3/4" Full Port
2	1	2352034PP	Valve, Throttling 3/4" NPT Poly 150 PSI
3	1	3F34	Plug, 3/4" MP Poly
4	4	3M34	Nipple, Pipe 3/4" MPT Poly
5	1	846034	Valve, Relief Diaphragm Type 300PSI 3/4" NPT Fittings
6	1	85945K42	Cap, Rectangular Vinyl Black
7	3	AA6B *	Valve, Manual Control 3/4" FPT x 1/2" FPT Boom Connection
8	8	CB14*34	Bolt, Carriage 1/4-20 x 3/4" Gr 2
9	8	FN14	Nut, Flange 1/4-20
10	1	GG160B	Gauge, 2-1/2" Liquid Filled Back Mount 160 PSI
11	2	HT10*34	Screw, Hex Washer Tap #10 x 3/4"
12	1	PMB4	Plastic manifold body, 3/4" FPT x 4
13	1	T560	6B mount plate, triple, w/ master valve
14	1	VHE	Handle extension for master valve, 6B3MC1

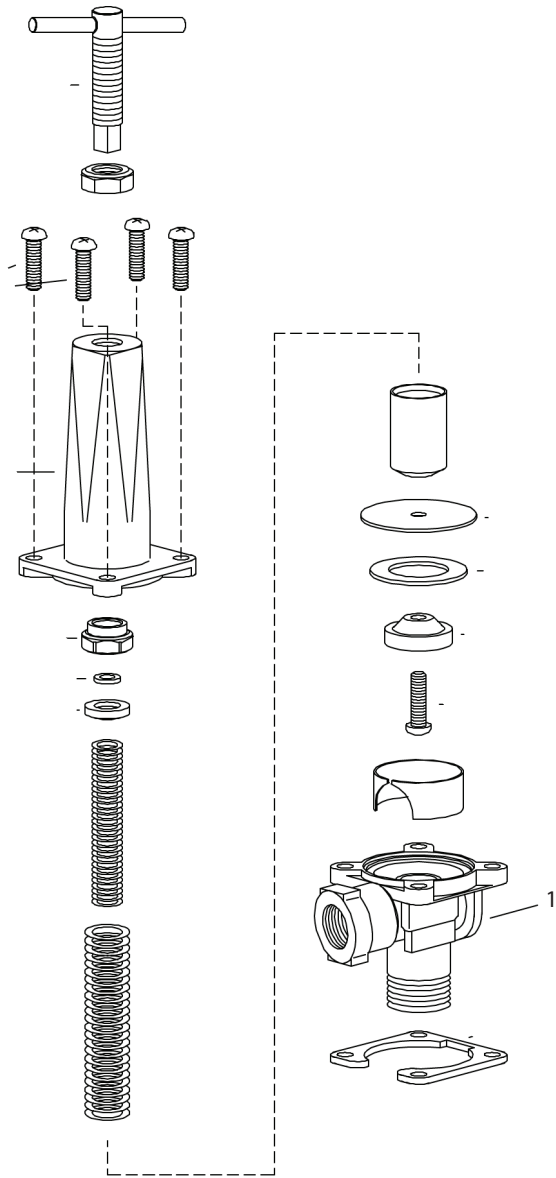
\* See support page for component parts breakdowns.

# AA6B Manual Control Valve



Ref#	Qty.	Part Number	Description
1	1	CP36301NY	Handle, AA6B valve
2	1	CP36308SS	Pin, Handle AA6B Valve
3	1	CP36302PP	Body Insert, Polypropylene (Black)
4	1	CP36303PP	Body, AA6B Valve Poly
5	1	CP36309302SS	Clip, Retaining Clip SS

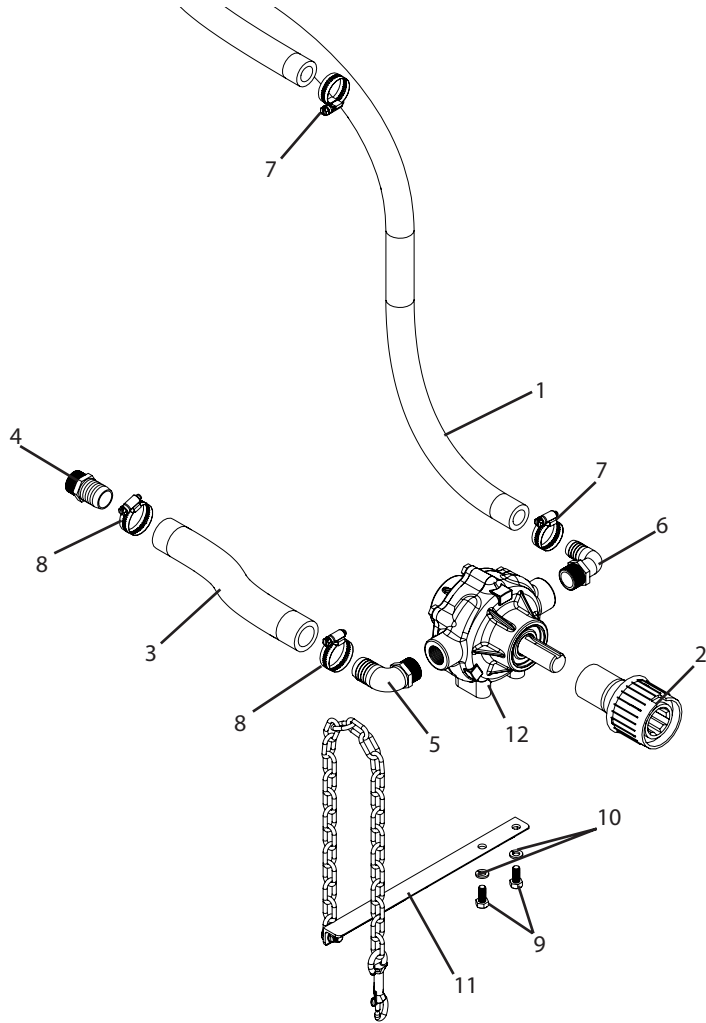
# 846034 Pressure Relief Valve



Ref#	Qty.	Part Number	Description
1	1	CP836134NYB	Body, Nylon (Black) (for 8460-3/4)



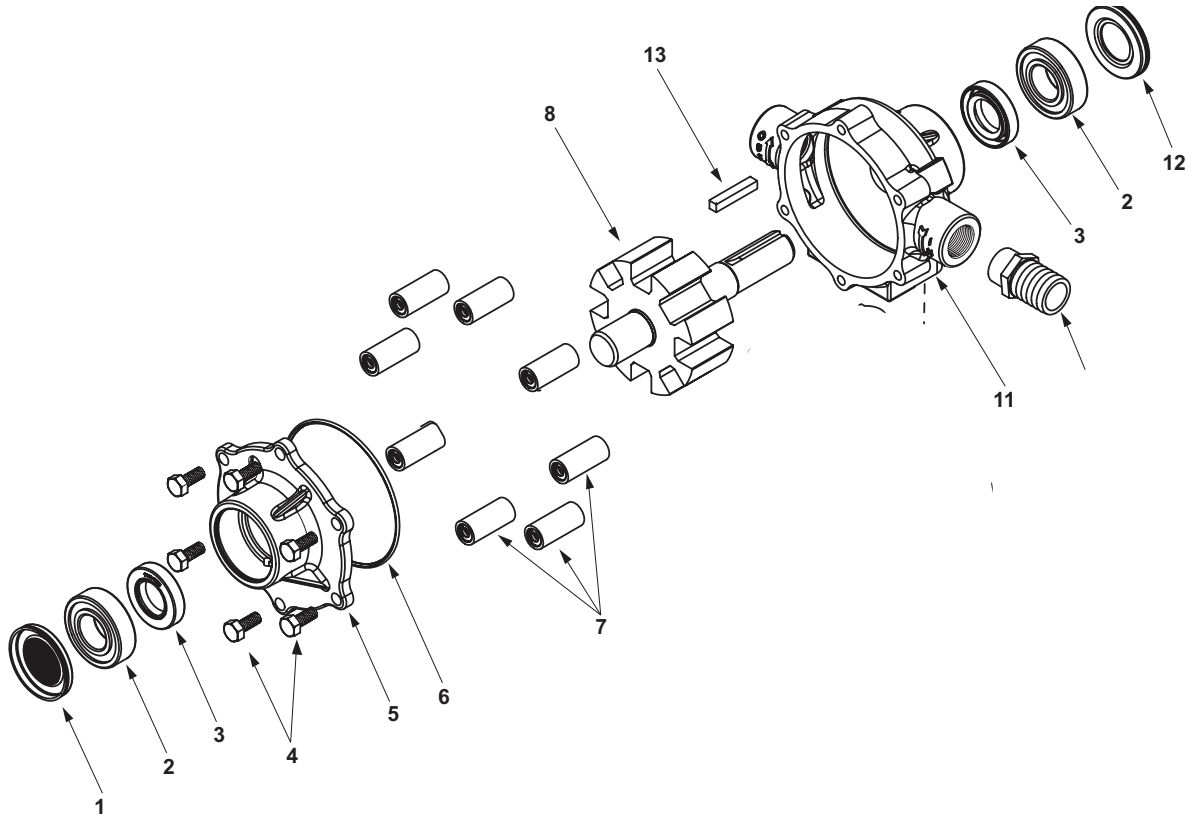
# AGX150-2B Pump Subassembly



Ref#	Qty.	Part Number	Description
1	8FT	1012	Hose, EPDM Rubber 3/4" 300 PSI
2	1	13230072	Coupler, Quick 540 RPM x 15/16" Pump Shaft Forged Steel
3	4 FT	3110	Hose, Suction EPDM Blend 1" 80 PSI
4	1	3A34100	Fitting, Hose 3/4" MPT x 1" HB
5	1	3EL34100	Adapter, Hose 90° 3/4" MPT x 1" HB
6	1	3EL3434	Adapter, Hose 90° 3/4" MPT x 3/4" HB
7	2	6812052	Hose Clamp, 1/2" - 1-1/4" SS
8	2	6816052	Hose Clamp, 11/16" - 1-1/2" SS
9	2	H5C516*34	Bolt, Hex 5/16-18 x 3/4" Gr 5
10	2	LW516	Washer, Lock 5/16"
11	1	PTA *	Torque arm assembly
12	1	7560N *	Pump, Roller Ni-Resist 8-roller 15/16" Shaft 3/4" FPT ports

\* See support page for component parts breakdowns.

# 7560N Pump

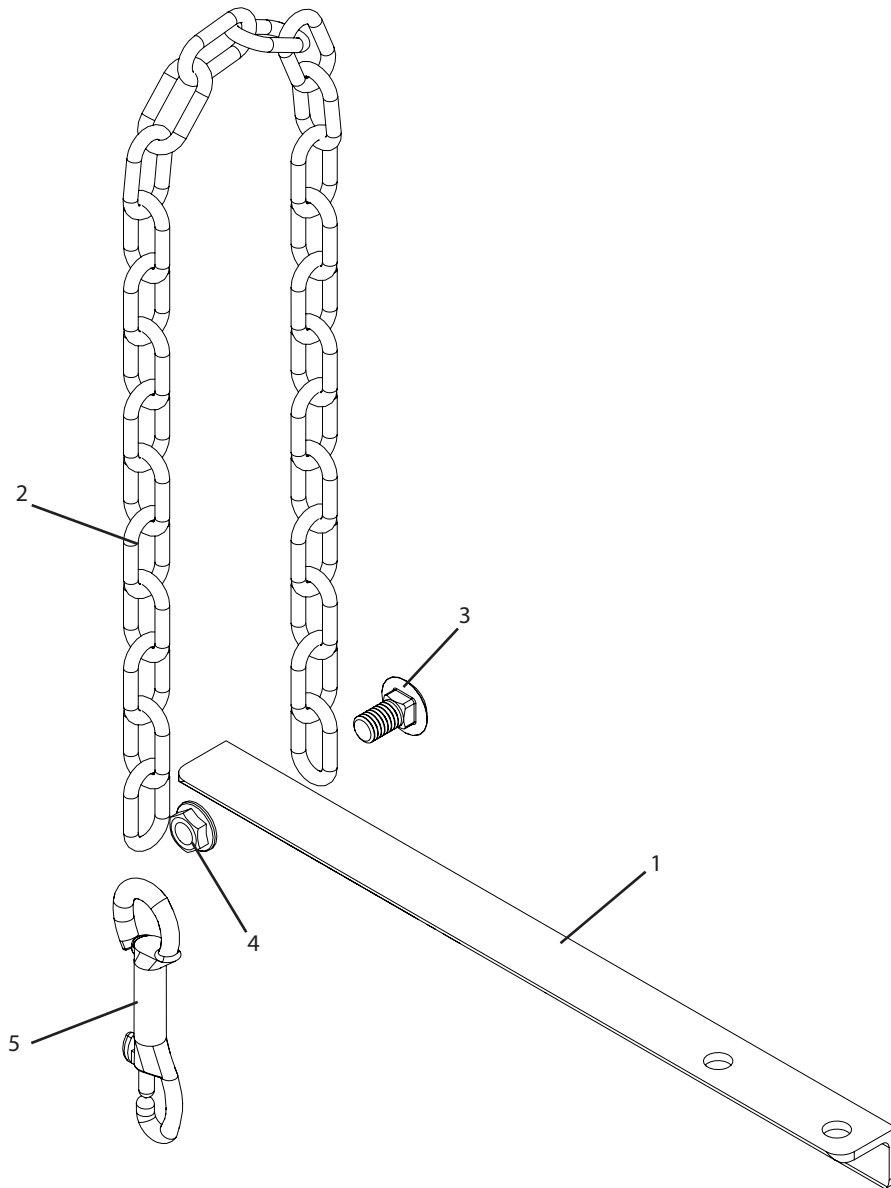


Ref #	Qty.	Part Number	Description
1	1	23000020	Bearing Cover
2	2	20080001	Sealed Ball Bearing
3	2	21120003	Viton Seal (Standard)
3	2	21120001	Buna-N Seal (Optional)
4	6	22100004	Bolts
5	1	02047500C	Endplate (Cast Iron) with Seal
5	1	02047500N	Endplate (Ni-Resist) with Seal
5	1	02047500X	Endplate (SilverCast) with Seal
6	1	17200014	O-ring Gasket for Endplate
7	8	10050004	Super Roller (Standard)
7	8	10020004	Polypropylene Roller (Optional)
7	8	10550004	Teflon Roller (Optional)
8	1	03087560C	Rotor Assembly (Cast Iron only)
8	1	34300745	Rotor Assembly (Std. Ni-Resist & XL)
11	1	01047500C	Body (Cast Iron) with Seal
11	1	01047500N	Body (Ni-Resist) with Seal
11	1	01047500X	Body (SilverCast) with Seal
12	1	23000022	Shaft Bearing Cover
13	1	16100005	Key

## Repair parts kits:

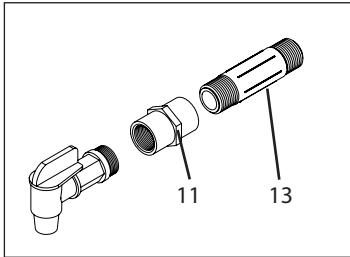
3430-0381 Consists of: 8 pc. ref. #7 (super rollers), 1 pc. ref. #6 (o-ring), and 2 pc. ref. #3 (viton seals).

# PTA Torque Arm

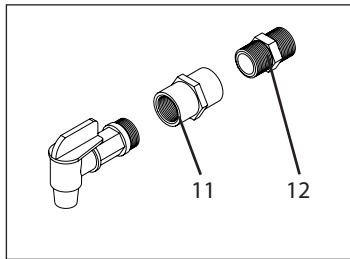


Ref#	Qty.	Part Number	Description
1	1	PUMPTA	Pump torque arm
2	2 FT	ZC316	Chain, Coil 3/16" Proof Gr 30 Zinc
3	1	CB516*34G5	Bolt, Carriage 5/16-18 x 3/4" Gr 5
4	1	FN516	Nut, Flange 5/16-18
5	1	7606011	Snap, Rigid Bolt Open Eye Zinc

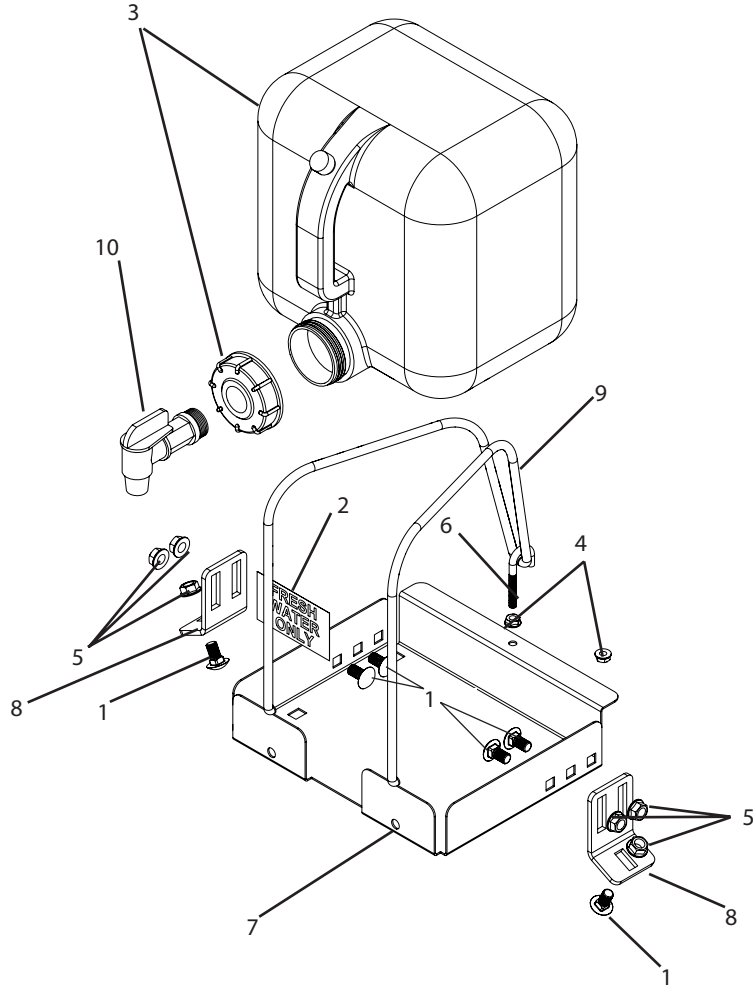
# A116K Fresh Water Safety Tank Accessory



Fittings for 200 or 400 gallon tanks.



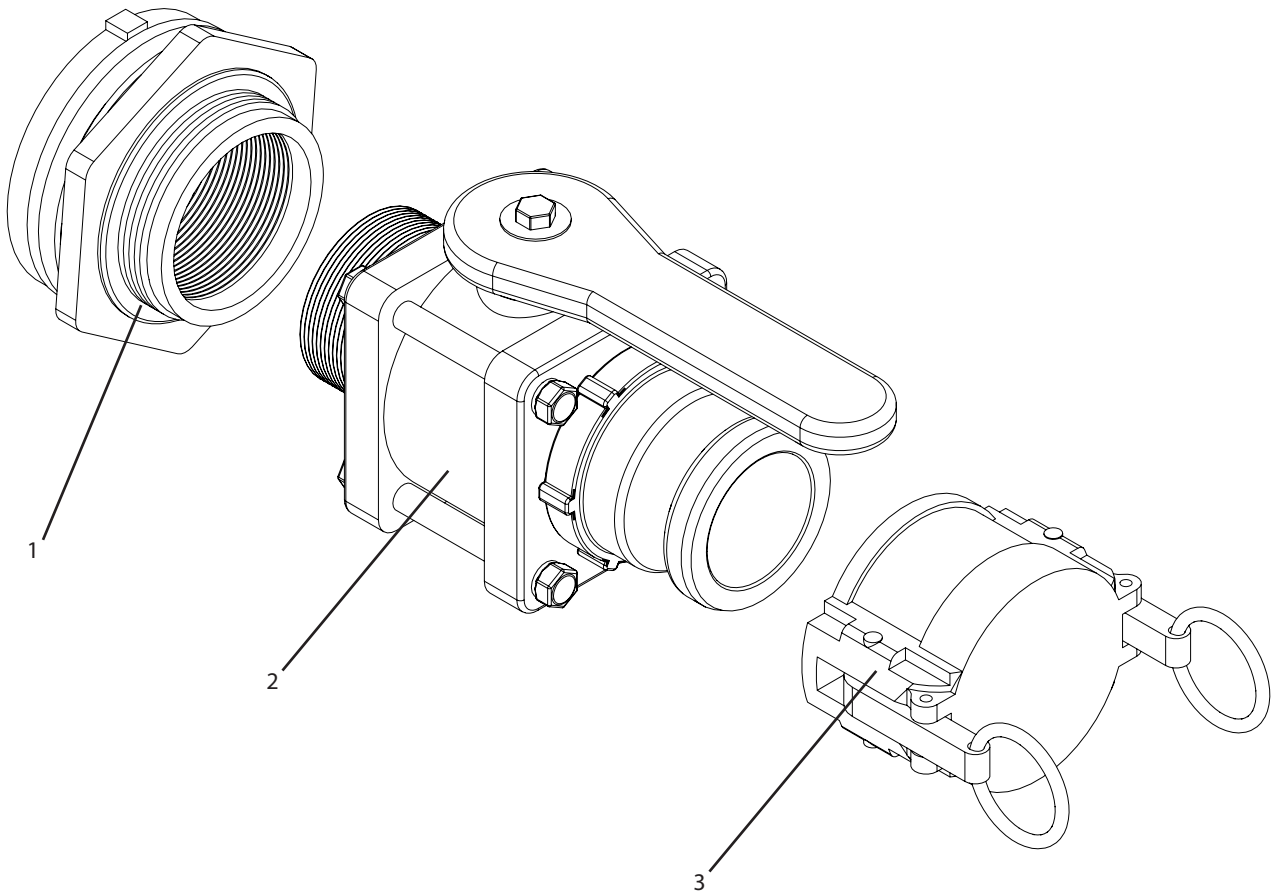
Fittings for 300 gallon tanks.



Ref#	Qty.	Part Number	Description
1	6	CB38*34G5	Bolt, Carriage 3/8-16 x 3/4" Gr 5
2	1	DE21	Decal, "Fresh Water Only"
3	1	F2503	Tank, 2.5 Gal White Foamer
4	2	FN14	Nut, Flange 1/4-20
5	6	FN38	Nut, Flange 3/8-16
6	1	N232884	Bolt, J-Bolt 1/4-20 x 2 5/16" Zinc
7	1	T555	Tank pan, black, for 2.5 gal fresh water
8	2	T555A	Brace, black, for 2.5 gallon tank pan
9	1	T555B	Bungee cord, 5/16" x 36" long, fresh water kit
10	1	VDB34	Valve, Drum & Barrel 3/4" MPT PVC White
11	1	8FC34	Coupling, 3/4" FPT Sch 80 Poly
12	1	8M34	Nipple, 3/4" MPT x Close Sch 80 Poly
13	1	8M34*4	Nipple, 3/4" MPT x 4" Sch 80 Poly



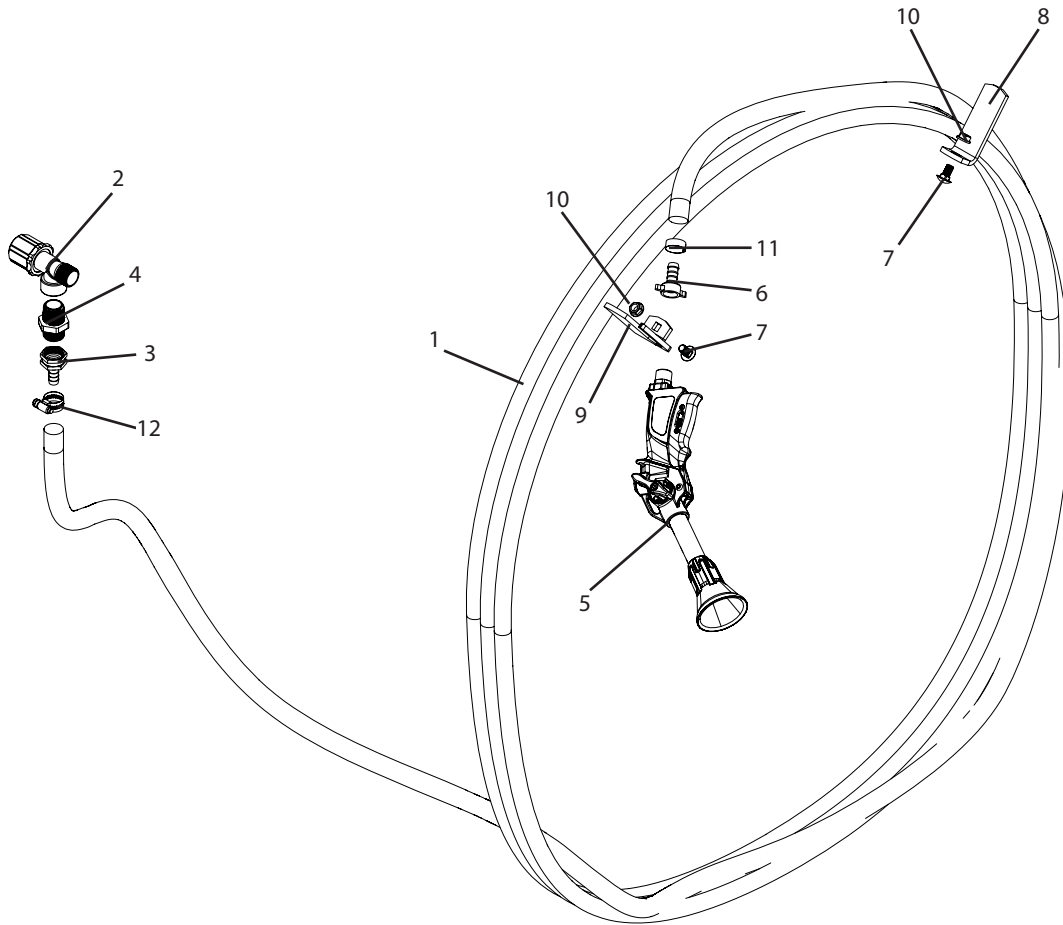
# A125K Quick Fill Accessory



Ref#	Qty.	Part Number	Description
1	1	60405	Fitting, Tank 2" Fitting Dbl Tap (Requires a 3" Hole)
2	1	200CMMC	Valve, Ball Bolted Compact 2" Full Port MPT x Male Coupler
3	1	200DCS	Dust Cap, 2" Male Coupler



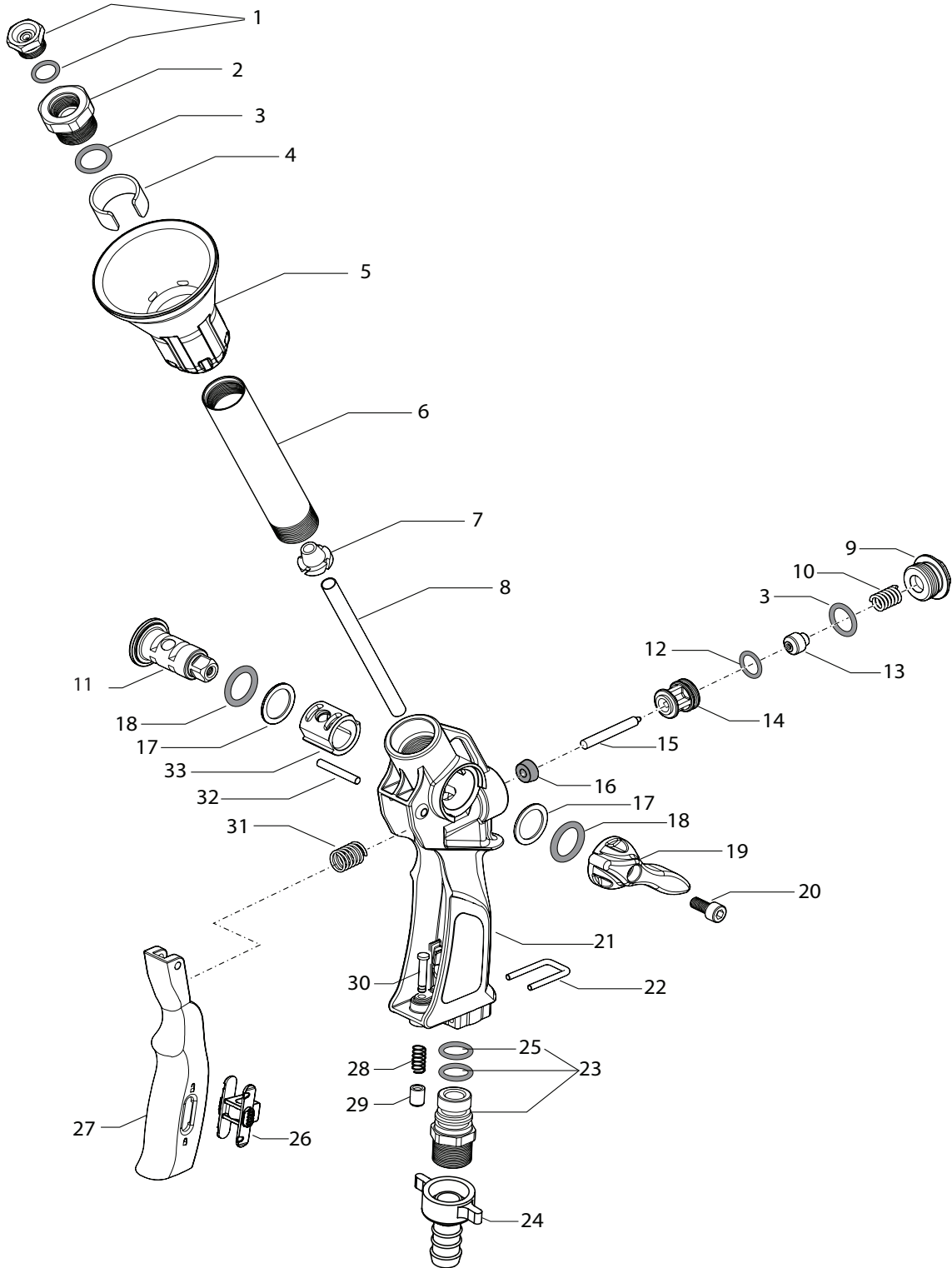
# A126K Pistol Grip Handgun Accessory



Ref#	Qty.	Part Number	Description
1	50 FT	1008	Hose, EPDM Rubber 1/2" 300 PSI
2	1	2352034PP	Valve, Throttling 3/4" NPT Poly 150 PSI
3	1	3412	Swivel, Garden Hose Female 1/2" HB x 3/4" FGHT Brass
4	1	3E3434	Adapter, Garden Hose 3/4" MGHT x 3/4" MPT Poly
5	1	5062410F *	Spray Gun, 700 PSI
6	1	9910110130	Adapter, 1/2" HB x 1/2" BSP Wing Nut Assy
7	2	CB38*34G5	Bolt, Carriage 3/8-16 x 3/4" Gr 5
8	1	CC5521	Hose mount
9	1	CC5523	Hose mount w/ gun pin, black
10	2	FN38	Nut, Flange 3/8-16
11	1	J243	Clamp, Band 3/8" x 1" SS
12	1	6806052	Hose Clamp, 1/2" - 29/32" SS

\* See support page for component parts breakdowns.

# 5062410F Spray Handgun



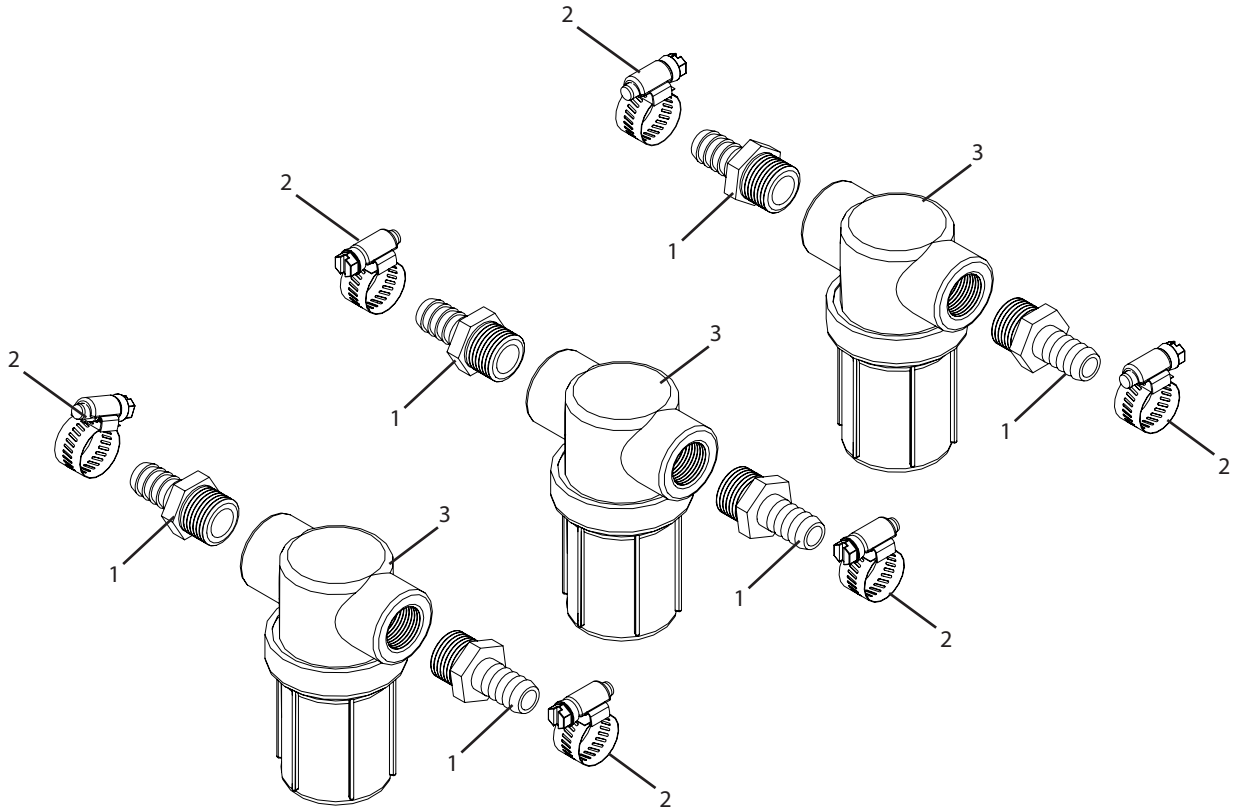
# 5062410F Spray Handgun

Ref #	Qty.	Part Number	Description
1	1	3420000 4422000 3430000	Ceramic Cone Nozzle 2.0 Ceramic Cone Nozzle 2.3 Ceramic Cone Nozzle 3.0
2	1		Nozzle Holder
3	2	*	O-Ring
4	1		Clip
5	1		Nozzle Protector
6	1		Barrel
7	1		Inner Conveyor
8	1		Inner hose
9	1		Plug
10	1		Spring
11	1		Regulation Drum
12	1	*	O-Ring
13	1	*	Cone Plugger
14	1	*	Box and seat
15	1		Hinge for Conical Shutter
16	1	*	Seal
17	2		Teflon Washer
18	2	*	O-Ring
19	1	5062400030	Drum Lever
20	1	V1C24F	Screw TCEI 6 x 14
21	1		Body / Grip
22	1	10011	Fork
23	1	5062400101	Brass Coupler
24	1	9910110130	Hose Barb Assembly, 1/2"
25	2		O-Ring
26	1		Slide Lock
27	1	5062410020	Trigger
28	1		Spring
29	1		Decanting Gun Pusher
30	1		Pivot for Trigger Block
31	1		Spring
32	1		Trigger Pin
33	1		Cover for Regulation Drum

\* Items are included in spray gun repair kit (5062400.500)



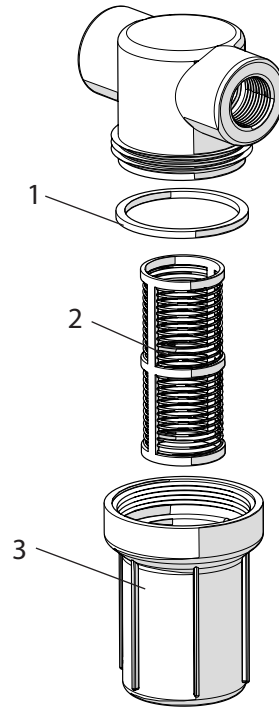
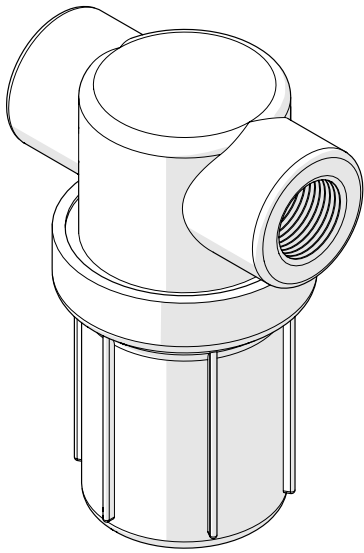
# A127K Boom Inline Filters Accessory



Ref#	Qty.	Part Number	Description
1	6	3A1212	Adapter, Hose 1/2" MPT x 1/2" HB
2	6	6806052	Hose Clamp, 1/2" - 29/32" SS
3	3	AA12212PP50 *	Strainer, Line 1/2" FPT 50 mesh screen

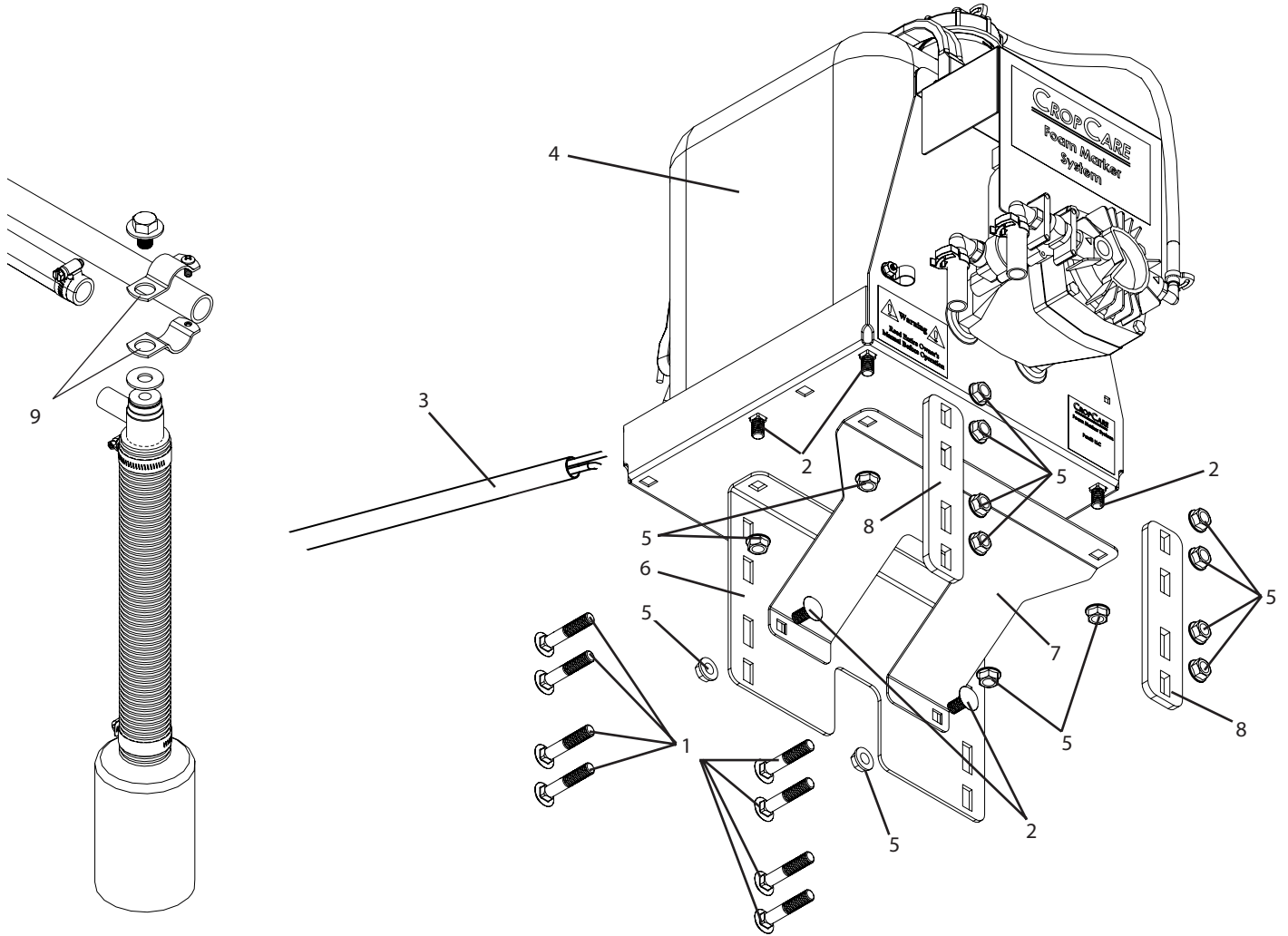
\* See support page for component parts breakdowns.

# AA12212PP50 Line Strainer



Ref#	Qty.	Part Number	Description
1	1	CP23173-EPR	Strainer gasket, AA122
2	1	CP451023SSPP	Screen-122 filter 50M
3	1	CP23172PP	Bowl-122 Filter

# F1500-3PT-BK Foam Marker Accessory

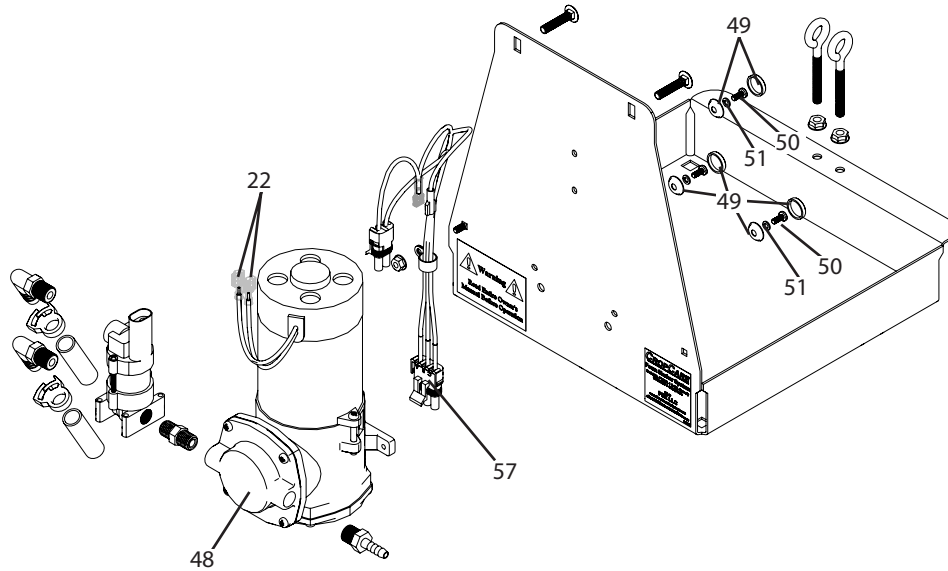


Ref#	Qty.	Part Number	Description
1	8	CB38*2G5	Bolt, Carriage 3/8-16 x 2" Gr 5
2	6	CB38*34G5	Bolt, Carriage 3/8-16 x 3/4" Gr 5
3	15 FT	DC784	Loom, Flex-Gard 3/8"
4	1	F1500A *	Foam Marker, System 5 Gal CropCare
5	14	FN38	Nut, Flange 3/8-16
6	1	T554	Bracket, black, to mount foamer on boom
7	1	T554A	Brace, black, to mount foamer on boom
8	2	T554B	Clip, black, to mount foamer on boom
9	2	AA11134	Clamp, Round 3/4" Pipe

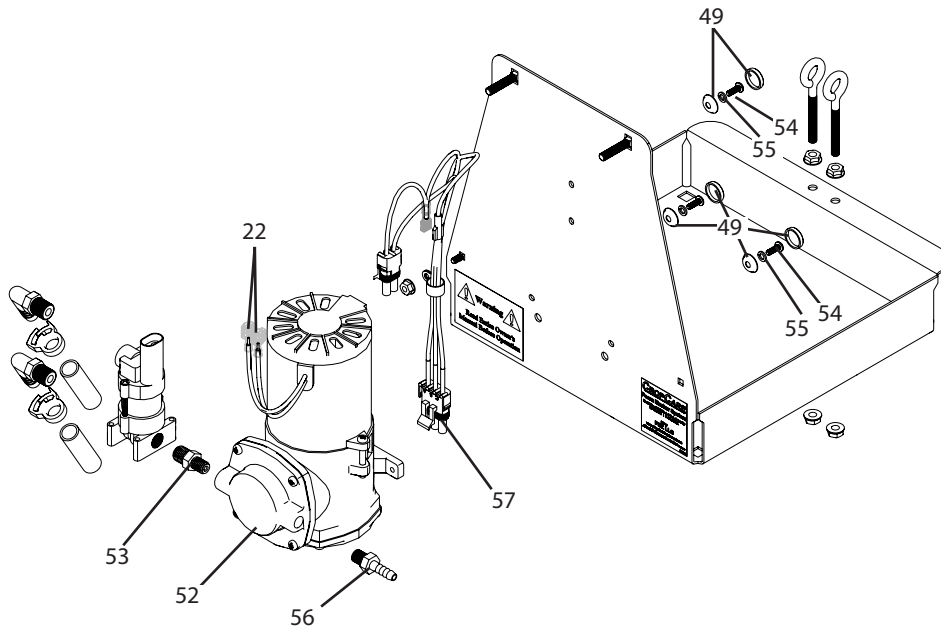
\* See support page for component parts breakdowns.



# F1500 Foam Marker System



NOTE: Shown as configured with compressor Part# GZ35-12.



NOTE: Shown as configured with compressor Part# 107CDC20.

# F1500 Foam Marker System

Ref #	Qty.	Part Number	Description
1	34"	1954	Tubing, Vinyl 1/4" ID x 3/8" OD 55 PSI
2	1	1971-33L	Tubing, Vinyl 33 FT Roll 1/2" ID x 5/8" OD 30 PSI
3	1	2204AWP	Solenoid, 3-Way 1/4" FPT 0.5 GPM 40 PSI 12V
4	1	3003-50L	Hose, Suction 3/4" 50 FT Roll Clear PVC 100 PSI
5	1	38027	Cap, Nozzle Tip/barb 11/16-16 UNF Poly
6	1	3A1414	Adapter, Hose 1/4" MPT x 1/4" HB
7	2	3EL1412	Elbow, Hose 90° 1/4" MPT x 1/2" HB
8	1	3EL14F	Elbow, Hose 90° 1/4" FPT x 1/4" HB
9	1	6468	Nipple, Brass w/ Hex 1/4" MPT
10	4	6810052	Hose Clamp, 1/2" - 1-1/16" SS
11	4	6828	Hose Clamp, 1-1/4" - 2 1/4" SS
12	4	6864052	Hose Clamp, 2-1/2" - 4-1/2" SS
13	1	8079PP100	Strainer, Tip 100 Mesh Green Poly Body SS Screen
14	2	91620A970	Cap, Snap Screw Head 1/4" Screw
15	1	A3814BR	Adapter, Hose 3/8" MPT x 1/4" HB Brass
16	2	AN14	Nut, Acorn 1/4-20
17	1	CB1024*12	Bolt, Carriage 10-24 x 1/2" Gr 2
18	2	CB14*114	Bolt, Carriage 1/4-20 x 1-1/4" Gr 2
19	1	CM40	Air Compressor, 1.27 CFM 40 PSI 12V 8A
20	1	CP491645	Orifice Plate, SS 0.088-0.306
21	1	DC2406	Clamp, Loom 3/8" Nylon
22	2	DC834005	Terminal, 16-14 Gauge Male (Fully Insulated)
23	1	DE221	Decal, F1500A Specs
24	1	DE222	Decal, 5 Gal. Foam Marker Model and Revision
25	1	DE39	Decal, "Warning Read Owner's Manual
26	1	DE51	Decal, Foamer Cover
27	1	F1503A	Tank, 5 gal White Foamer
28	1	F1507	Harness, Foamer Power End
29	1	F1509A	Wiring harness compressor end (CM40 compressor)
30	2	F1525	Drop Tube, Foamer, 3/4" Hose Barb
31	2	F1529	Foam Marker, Mixing Chamber
32	1	F1532	F1500A, Main Frame
33	1	F1533	F1500A, Compressor Cover
34	1	F2506	Adapter w/ breather hole, A1414BR
35	1	FN1024	Nut, Flange 10-24
36	6	FN14	Nut, Flange 1/4-20
37	4	FW12S	Washer, Flat, 1/2" SS
38	2	H12*114S	Bolt, Hex 1/2-13 x 1 1/4 SS
39	4	HC041	Clamp, Snap Grip 0.36" - 0.41" Size BB
40	4	HC067	Clamp, Snap Grip 0.59" - 0.67" Size F
41	2	N221119	Bolt, Eye Closed 1/4-20 x 3" Zinc
42	2	NNC12S	Nut, Lock Nylon 1/2-13 SS
43	2	TS15	Tarp Strap, 15" Rubber
44	2	H6X16M	Metric bolt, 6 x 16mm 1.0 pitch
45	1	F1505	Foamer Tank Lid

\* Component part breakdowns are available.

\*\* Lid part number without hole drilled.

\*\*\* Part is included in item 28.

+ Use part# F1534 with GZ35-12 and 107CDC20 compressors.

++ Includes lid (Item 45).

# F1500 Foam Marker System

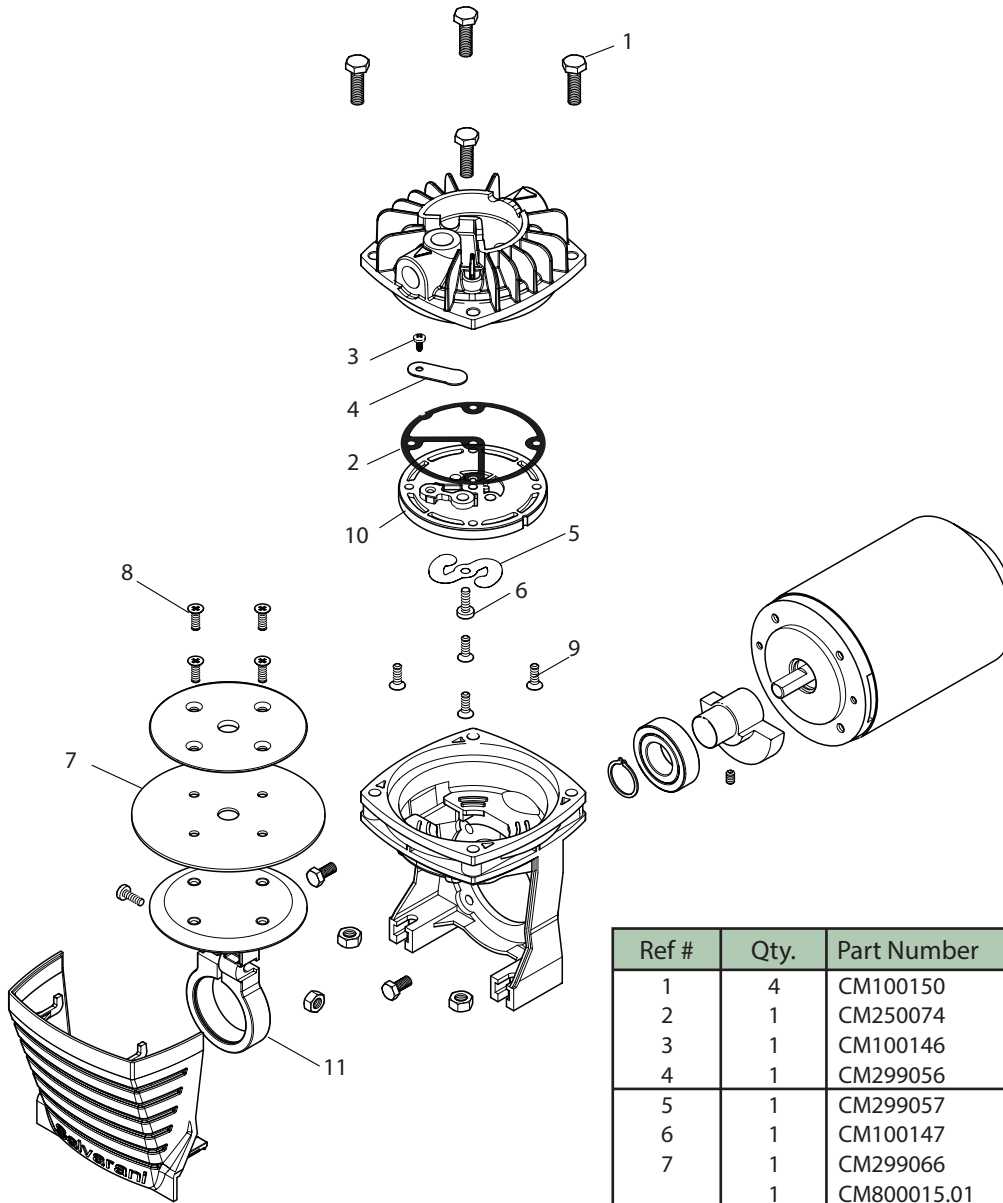
Ref #	Qty.	Part Number	Description
46	1	6010-000-070 **	Breather cap (Lid) has a drilled out hole in center of lid
47	1	DC7300131 ***	Toggle switch, on-off-on
48	1	GZ35-12 *	Compressor, Diaphragm, 12V, 1/4 FPT ports
49	3	SC10S	Cap, Snap Screw Head #10 Screw
50	3	MR4X10M	Machine Screw, Phillips, Pan Head, 4M x 10M 7P Zinc
51	3	LW4M	Lock Washer, 4mm
52	1	107CDC20	Compressor, Diaphragm, 12V, 1/8 FPT ports
53	1	6468	Nipple, Brass w/ Hex 1/4" MPT
54	3	MR832*12	Screw, Machine 8-32 x 1/2" Zinc
55	3	LW10	Washer, Lock #10
56	1	3A1414	Adapter, Hose 1/4" MPT x 1/4" HB, Poly
57	1	F1534	Wiring harness compressor end (GZ35-12 compressor)

\* Component part breakdowns are available.

\*\* Lid part number without hole drilled.

\*\*\* Part is included in item 28.

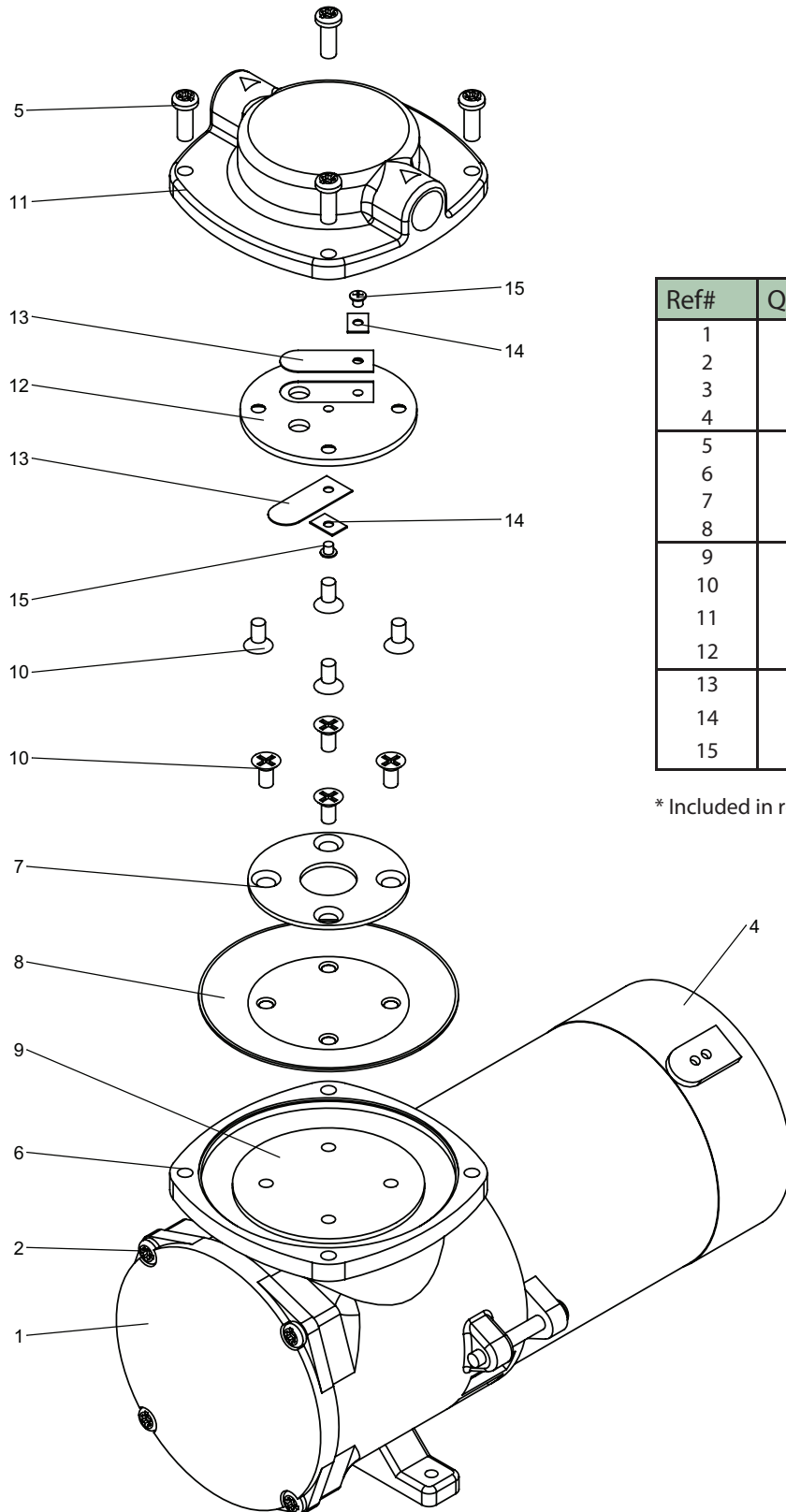
# CM40 Compressor



Ref #	Qty.	Part Number	Description
1	4	CM100150	Screw
2	1	CM250074	Head gasket
3	1	CM100146	* Screw
4	1	CM299056	* Leaf valve
5	1	CM299057	* Leaf valve
6	1	CM100147	* Screw
7	1	CM299066	* Rubber diaphragm
	1	CM800015.01	Diaphragm kit (Includes ref #'s 3-7)
8	4	CM100149	Screw
9	4	CM100148	Screw
10	1	CM299061	Valve plate
11	1	CM299067	Connecting rod

\* Included in a complete kit

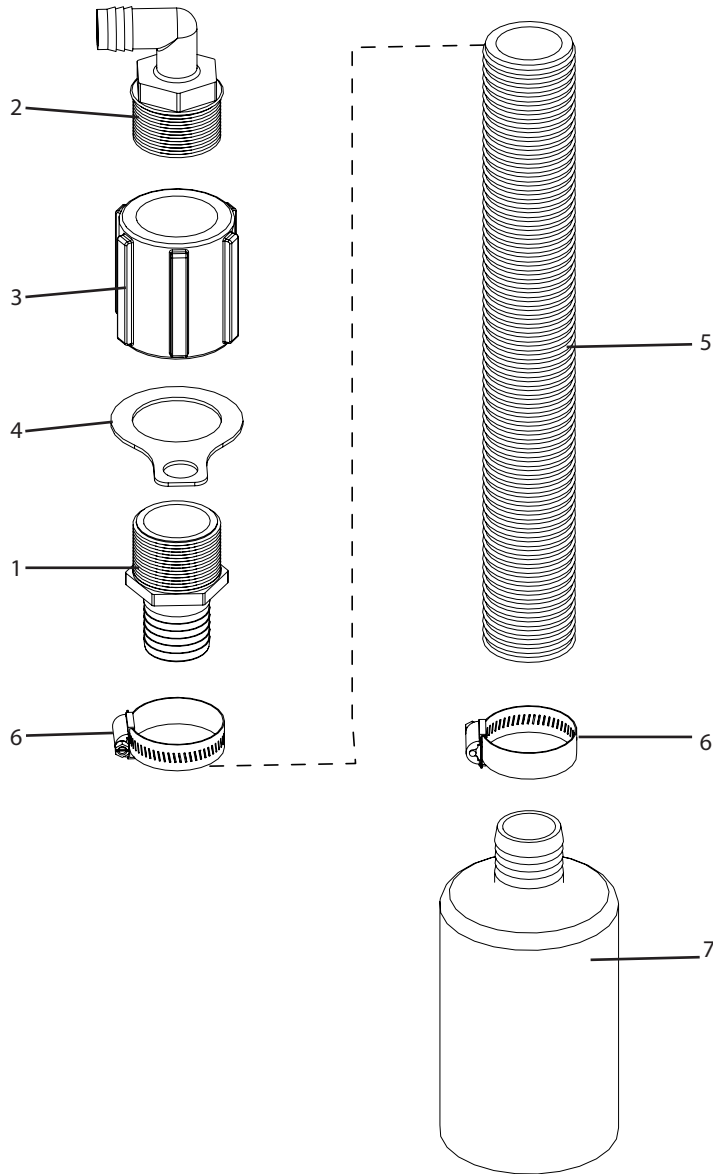
# GZ35-12 Compressor



Ref#	Qty.	Part Number
1	1	Housing End Cap
2	4	Housing End Screws
3	2	Motor Housing Screws
4	1	Motor
5	4	Head Screws
6	1	Housing
7	1	Diaphragm Plate
8	1	Diaphragm *
9	1	Piston
10	8	Head Screws
11	1	Head
12	1	Valve Plate
13	2	Leaf Valve *
14	2	Leaf Valve Washer
15	2	Leaf Screws

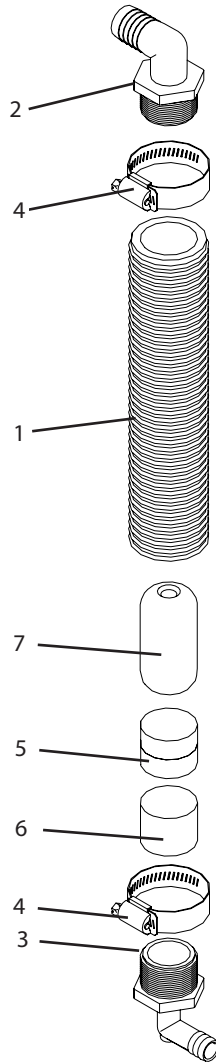
\* Included in repair kit (GZ35-15-RK)

# F1525 Foam Discharge Tube



Ref#	Qty.	Part Number	Description
1	1	3A114	Fitting, Hose 1-1/4" MPT x 1-1/4" HB
2	1	3EL11434	Adapter, Hose 90° 1-1/4" MPT x 3/4" HB
3	1	8FC114	Coupler, 1-1/4" schedule 80 poly
4	1	F1531	Foam Marker Drop Tube Mount
5	13"	3511	Hose, EPDM Enforcer 1-1/4" 100 PSI (Black)
6	2	6824052	Hose Clamp, 1" - 2" SS
7	1	F1526	Foamer Drop Tube, Boot

# F1529 Foam Mixing Chamber



Ref#	Qty.	Part Number	Description
1	8"	3511	Hose, EPDM Enforcer 1-1/4" 100 PSI (Black)
2	1	3EL10034	Adapter, Hose 90° 1" MPT x 3/4" HB
3	1	3EL10012	Adapter, Hose Ell 1" MPT x 1/2" HB
4	2	6824052	Hose Clamp, 1" - 2" SS
5	2	F1529A	Mixing Chamber, Open Cell Pad (Black)
6	1	F1529B	Mixing Chamber, Closed Cell Pad (White)
7	1	F506	Sponge, Mixing Chamber



# *CROPCARE*

by PBZ<sup>®</sup>

Manufactured by PBZ LLC  
A Paul B Zimmerman Inc. Company  
[www.CropCareEquipment.com](http://www.CropCareEquipment.com)